



FAG

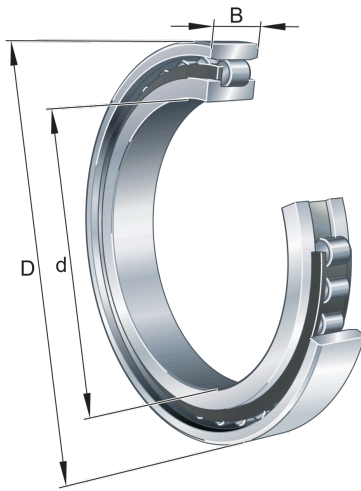
N311-E-XL-TVP2

Cylindrical roller bearing

Schaeffler ID:
0167340250000

Cylindrical roller bearing N3..-E-TVP2, with cage, single row, non-locating bearing, 0 ribs on outer ring, 2 rib on inner ring, type N3

Technical information

**Main Dimensions & Performance Data**

d	55 mm	Bore diameter
D	120 mm	Outside diameter
B	29 mm	Width
C_r	159,000 N	Basic dynamic load rating, radial
C_{0r}	139,000 N	Basic static load rating, radial
C_{ur}	26,000 N	Fatigue load limit, radial
$n_{G Grease}$	6,800 1/min	Limiting speed for grease lubrication
$n_{G Oil}$	8,000 1/min	Limiting speed for oil lubrication
	1.45 kg	Weight

Dimensions

$r_{1 min}$	2 mm	Minimum chamfer dimension
s_1	1.8 mm	Axial displacement
E	106.5 mm	Raceway diameter outer ring

Mounting dimensions

$d_{a min}$	66 mm	Minimum diameter shaft shoulder
$D_{a max}$	109 mm	Maximum diameter of housing shoulder
$r_{a1 max}$	2 mm	Maximum recess radius

Temperature range

T_{min}	-30 °C	Operating temperature min.
T_{max}	120 °C	Operating temperature max.